

INSTALLATION INSTRUCTIONS

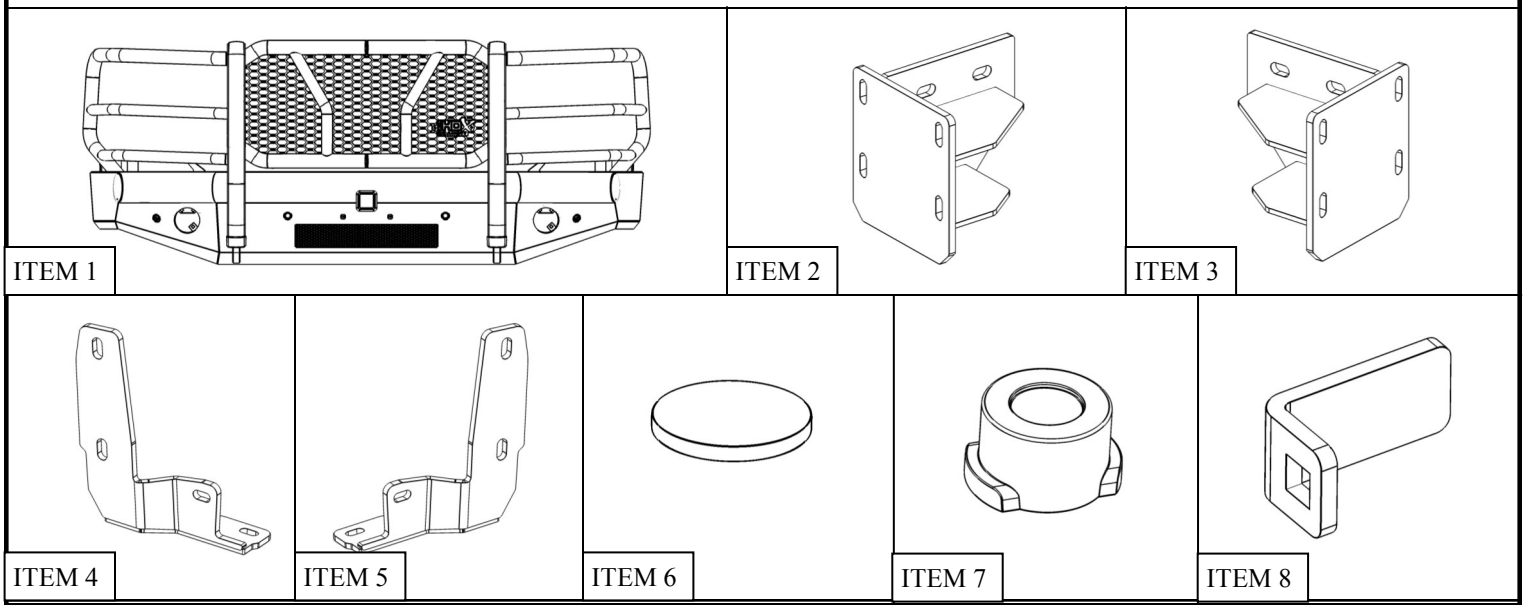
HDX BANDIT BUMPER



APPLICATION:
2015-2019 Chevrolet Silverado 2500/3500
PART NUMBER:
58-31155

CONTENT			
ITEM	QUANTITY	DESCRIPTION	TOOLS NEEDED
1	1	BUMPER ASSEMBLY	10MM SOCKET
2	1	DRIVER MOUNT BRACKET	10MM WRENCH
3	1	PASSENGER MOUNT BRACKET	18MM SOCKET
4	1	DRIVER REINFORCING BRACKET	19MM WRENCH
5	1	PASSENGER REINFORCING BRACKET	PRY TOOL
6	4	SENSOR GASKET	RATCHET
7	4	SENSOR HOLE PLUG	TORQUE WRENCH
8	4	SENSOR TAB	FLOOR JACK
9	10	M12 SERRATED FLANGE NUT (YELLOW ZINC)	
10	2	SHORT M12 HEX HEAD SCREW (YELLOW ZINC)	
11	4	LONG M12 HEX HEAD SCREW (YELLOW ZINC)	
12	10	M12 FLAT WASHER (YELLOW ZINC)	
13	6	M10 FLAT WASHER (YELLOW ZINC)	
14	4	M6 CARRIAGE BOLT (BLACK ZINC)	
15	4	M6 SERRATED FLANGE NUT (BLACK ZINC)	
16	4	M12 HEX HEAD CAP SCREW (BLACK ZINC)	

ANTI-SEIZE LUBRICANT MUST BE USED ON ALL STAINLESS STEEL FASTENERS TO PREVENT THREAD DAMAGE AND GALLING



WESTIN Westin Automotive Products, Inc.
320 W. Covina Blvd
San Dimas, Ca. 91773

Thank you for choosing Westin products
for additional installation assistance please call
Customer Service (800) 793-7846

PROCEDURE

1. Remove contents from box, verify if all parts listed are present and free from damage.

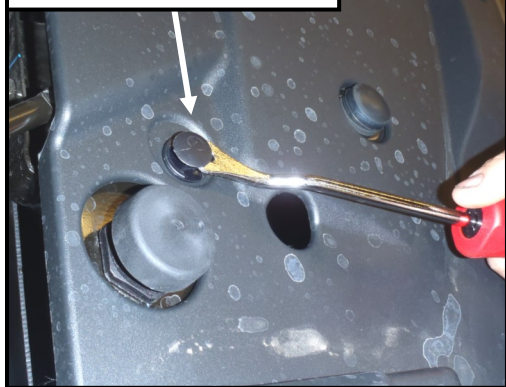
Carefully read and understand all instructions before attempting installation.

Failure to identify damage before installation could lead to a rejection of any claim.

2. Remove the license plate and bracket. On models with factory fog lights, unplug both lights. On models with bumper mounted sensors, unplug all sensors. Release the wiring harnesses from the clips attached to the back of the bumper and move all wiring harnesses away from bumper.
3. Open the hood and remove the plastic cover on top of the radiator, See **Figures 1 & 2**. Temporarily remove the plastic grille.

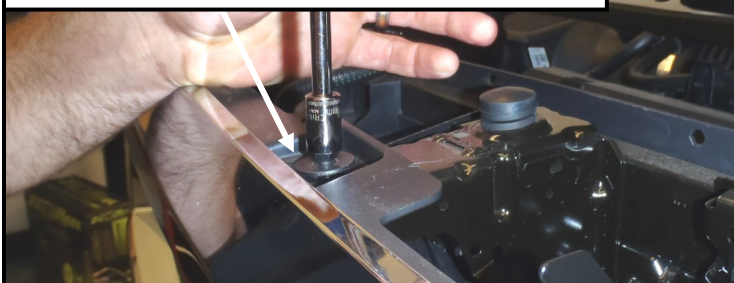
Pull up all fasteners and remove plastic radiator cover.

Fig 1



Remove all of the screws holding the grille to the upper radiator support and carefully pull it from the vehicle.

Fig 2



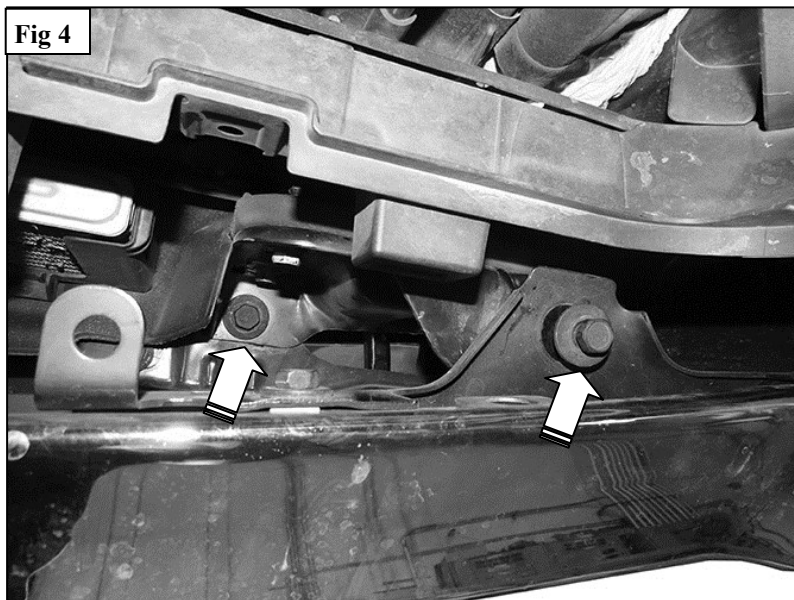
Note: There are several inaccessible clips that provide some retention on the grille. They will pop loose when you pull on the grille near the clip location.

4. Release the rubber air deflector from the back of the bumper, if equipped, and remove it from vehicle. Next, remove the hardware at each end of the bumper attaching the bumper supports to each side of the frame, See **Figure 3**.
5. Place blocks or jack stands under the front bumper to support it during mounting bolt removal. Once the bumper has been safely supported, from above the bumper, remove the (2) factory bumper bolts from each side, See **Figure 4**. **WARNING!** Assistance is required to hold the bumper in place during bolt removal to prevent the bumper from falling. Carefully slide the bumper off of the end of the frame and over the tow hooks.

Fig 3



Fig 4



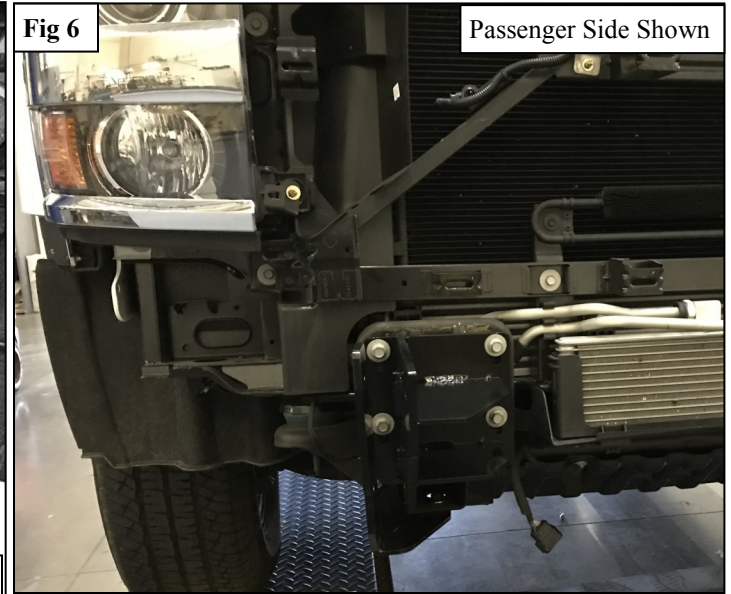
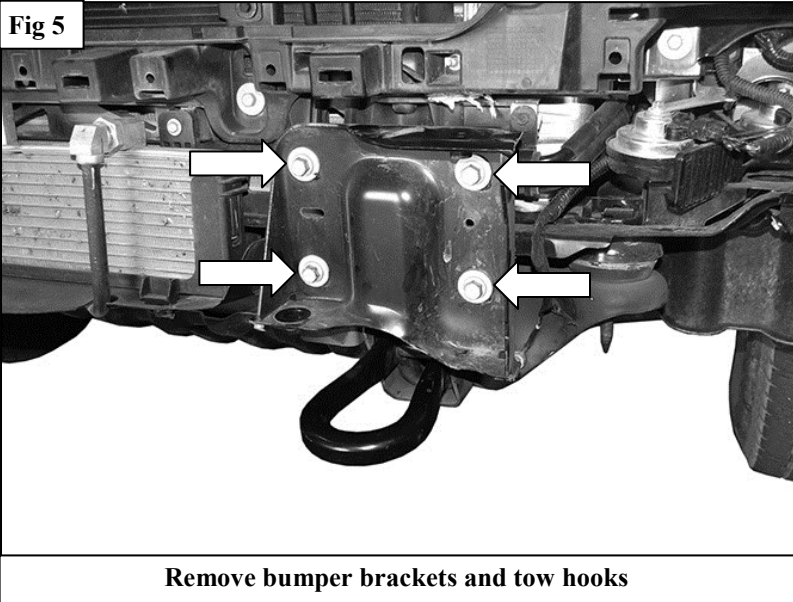
WESTIN

Westin Automotive Products, Inc.
320 W. Covina Blvd
San Dimas, Ca. 91773

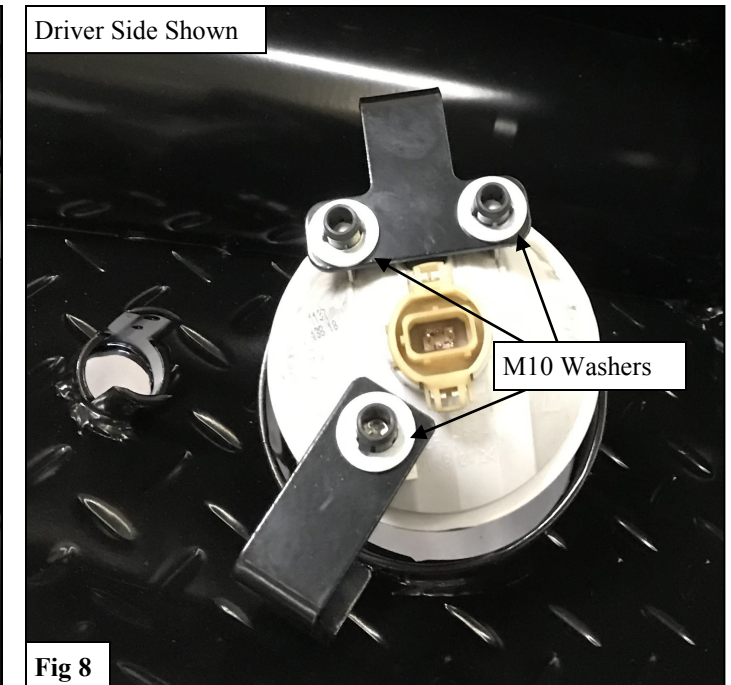
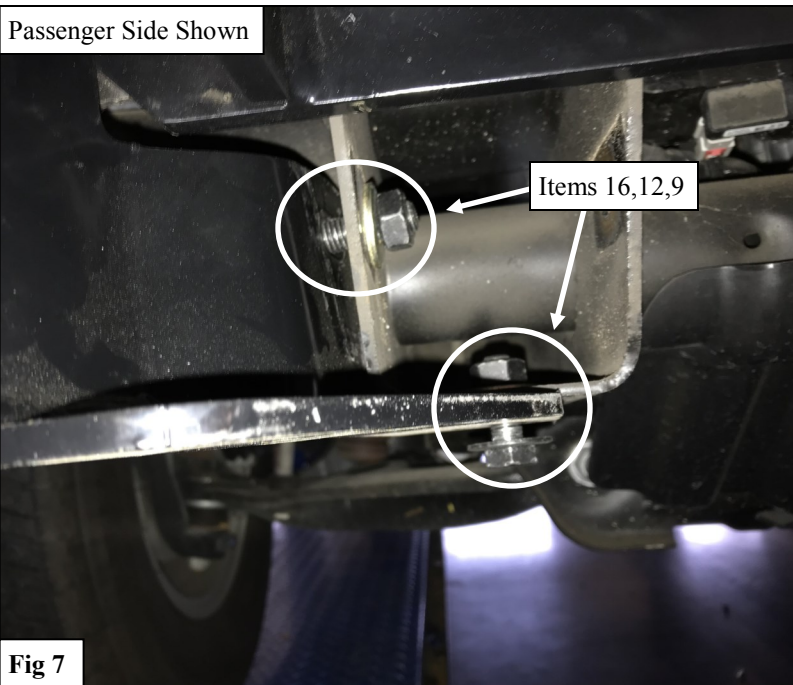
Thank you for choosing Westin products
for additional installation assistance please call
Customer Service (800) 793-7846

www.westinautomotive.com

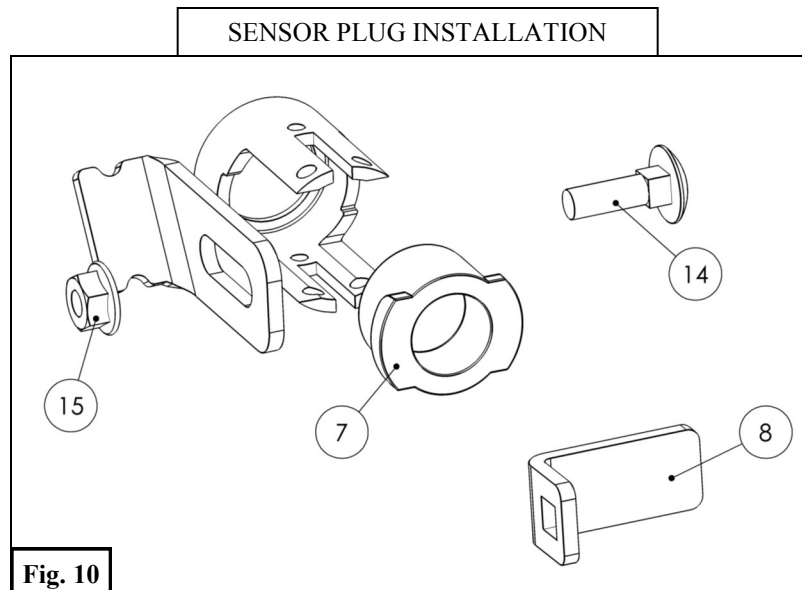
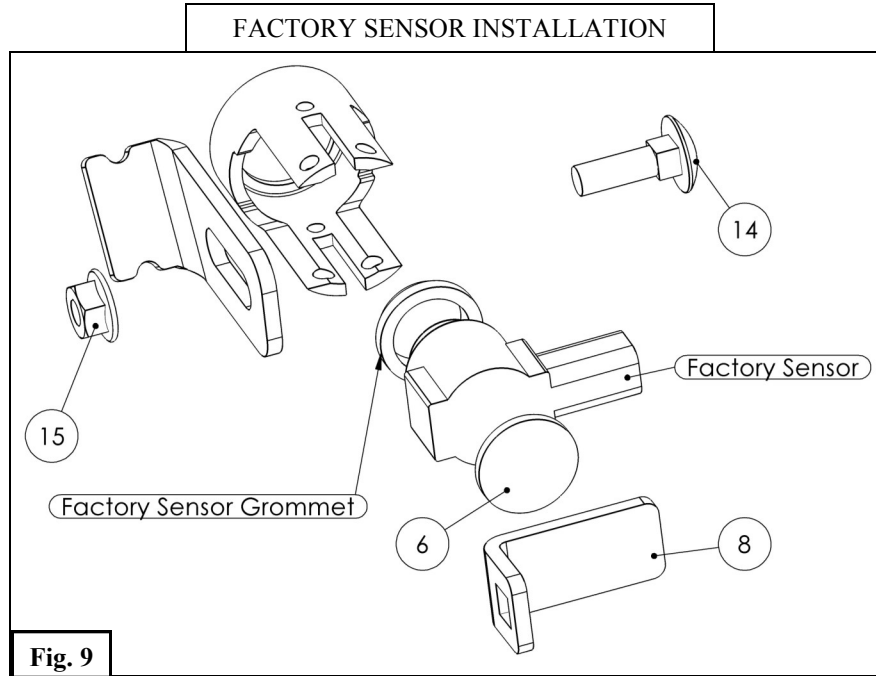
6. Remove the factory bumper brackets from the ends of frame and remove both tow hooks (tow hooks will not be reused) See **Figure 5**.
7. Loosely install the Mount Brackets (2,3) using the factory hardware removed in **Step 6**. See **Figure 6**.



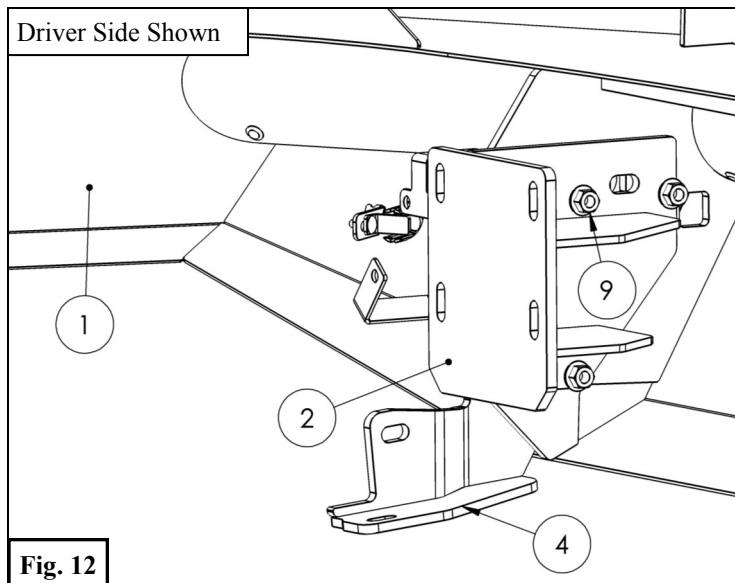
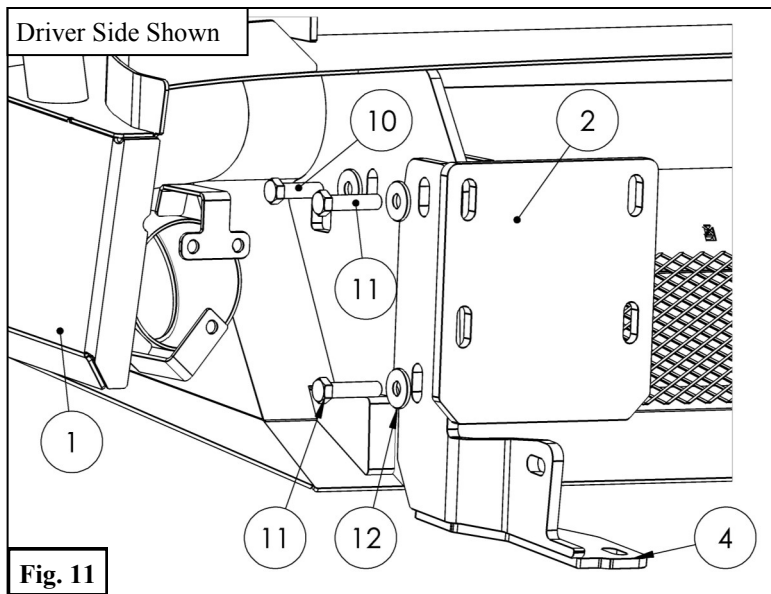
8. Loosely install the Reinforcing Brackets (4,5) to the outside of the frame rail using the supplied M12 Hardware. See **Figure 7**.
9. If reusing the factory fog lights, install them at this time into the Bumper Assembly (1) using the supplied M10 Flat Washers (13). See **Figure 8**.



10. Install parking sensors into the Sensor Gasket (6) and position the holes concentrically on bumper and press with Sensor Tabs (8) against bumper plate. Loosely fasten Sensor Tabs with the supplied M6 hardware (14,15). **See Figures 9 & 10.**
Note: Be sure to maintain the orientation of the sensor so that it remains consistent with its original orientation.
 Tighten M6 hardware to 5-7 ft-lbs. *Note: Factory sensor grommets must be reused.*
11. If parking sensors will not be used, use the supplied Sensor Hole Plugs (7) to cover the sensor hole.

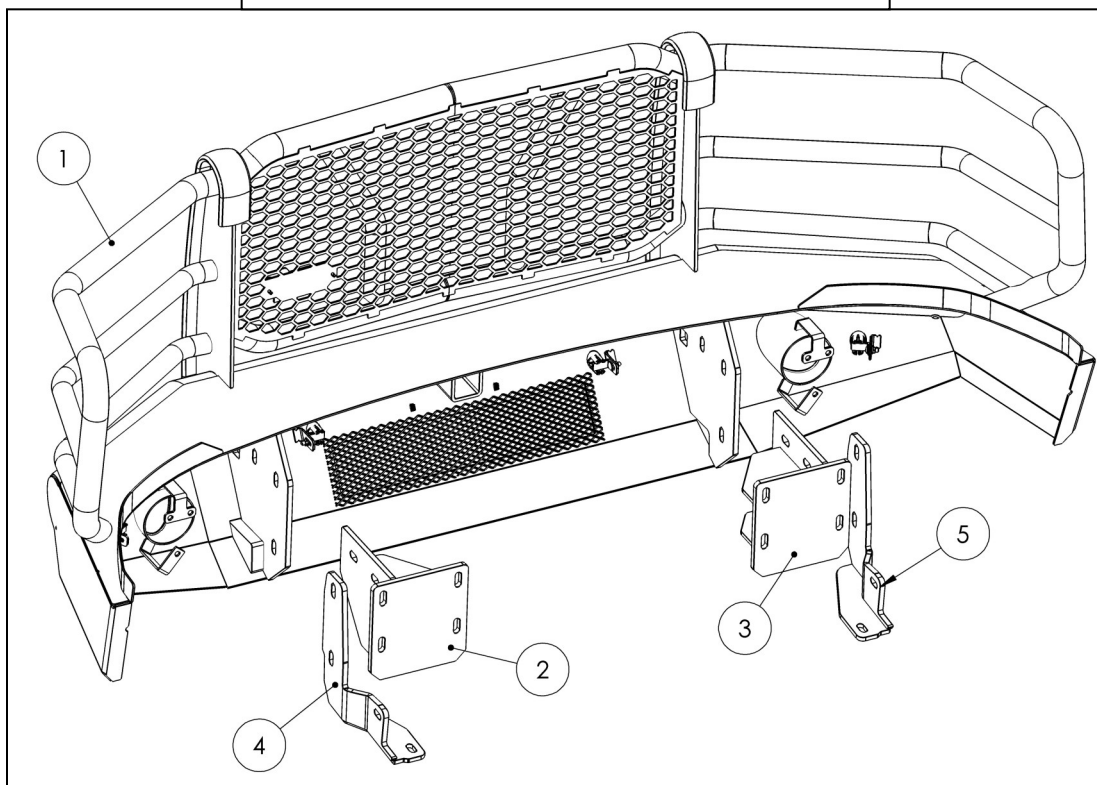


12. With help, lift the Bumper Assembly (1) into place between the Mount Brackets (2,3) and Reinforcing Brackets (4,5) and attach with supplied M12 Hardware. See **Figures 11 & 12**. **CAUTION:** The HDX Bandit Bumper is very heavy. The use of a floor jack or hoist is recommended.



13. Adjust and align the bumper as desired. Using a floor jack may be of help for this.
 14. Torque all hardware as specified: M6 to 7 ft-lbs, M12 to 60 ft-lbs.

Use Figure to reference bracket locations on bumper



INSTALLATION COMPLETE



Recovery Shackles Sold Separately

CARE INSTRUCTIONS

- REGULAR WAXING IS RECOMMENDED. DO NOT USE ANY TYPE OF POLISH OR WAX THAT MAY CONTAIN ABRASIVES.
- STAINLESS STEEL PRODUCTS CAN BE CLEANED WITH MILD SOAP AND WATER. STAINLESS STEEL POLISH SHOULD BE USED TO POLISH SMALL SCRATCHES.
- GLOSS BLACK FINISHES SHOULD BE CLEANED WITH MILD SOAP AND WATER

WESTIN

Westin Automotive Products, Inc.
320 W. Covina Blvd
San Dimas, Ca. 91773

Thank you for choosing Westin products
for additional installation assistance please call
Customer Service (800) 793-7846

www.westinautomotive.com



WARNING



Failure to follow these instructions could lead to death, personal injury, and / or property damage.

Failure to follow these instructions could lead to death, personal injury, and / or property damage.

FASTENERS:

All Westin supplied fasteners must be utilized and installed in accordance with the installation instructions and apply torque to the specifications as defined. **DOUBLE CHECK ALL FASTENERS BEFORE INITIAL USE, AND PERIODICALLY IN THE FUTURE TO ENSURE PROPER FUNCTION AND SAFETY.**

DRILLING:

Most Westin products do not require drilling for installation. If drilling is defined as required, use caution when drilling a vehicle. **FAILURE TO REVIEW AN AREA TO BE DRILLED MAY RESULT IN PERSONAL INJURY AND/OR INJURY TO OTHERS AS WELL AS VEHICLE DAMAGE.**

EYE PROTECTION:

ALWAYS WEAR SAFETY GLASSES OR GOGGLES DURING THE INSTALLATION PROCESS TO AVOID PERSONAL INJURY.

MAXIMUM TOWING/CARRYING CAPACITY: (if applicable)

The Westin Receiver Hitches will have a visible tow rating label affixed directly on the product. User should never exceed the vehicle manufacturers maximum tow and weight rating regardless of the capacity of the hitch. **FAILURE TO FOLLOW THESE GUIDELINES WILL VOID THE WESTIN WARRANTY AND MAY RESULT IN PERSONAL INJURY AND/OR INJURY TO OTHERS AS WELL AS VEHICLE DAMAGE.**

FOR CALIFORNIA RESIDENTS ONLY-PROP 65 WARNING:

Some products may contain chemicals such as DEHP, which can cause cancer, birth defects or other reproductive harm. For more info go to www.p65warnings.ca.gov



Westin Automotive Products, Inc.
320 W. Covina Blvd
San Dimas, Ca. 91773